



# Nova Track Light Type D



**68NV-COB-TLDxx03W**

Nova Track Light D 3W

We are proud to introduce our new series of Nova Track Lights. The Nova Track are taking advantage of the “chip on board” COB technology, which has taken the LED development to a new turn. They are becoming more and more look and feel like the old fashion light bulbs. COB will allow the fixtures to use reflectors and lenses to make wonderful delivery of single shadow light beam. Remember how its feel when you see multiple shadows from a LED spot lights. You will not see that in the COB technology. The new series of Nova Tracks will bring you easy to install and easy to retrofit any existing track lights you already have. without re doing any electrical wirino.



## Product Technical Data

### General Informaion

Adaptor                    Track Light  
Life Span                50000hr

### Product Dimensions

Height                    165mm  
Width                     86mm  
Circular diameter       54mm

### Light Characteristics

Efficacy                 100 lm/w  
Beam Angle            15,25,35 Degree  
CCT                      3000K,4000K,6400K  
Flux                      248-313 lm  
Color Rending Index   80

### Ordering Information

Product Name	Nova Track Light D 3W	
Product Ordering #	3000K	68NV-COB-TLD3003U
	4000K	68NV-COB-TLD4003U
	6400K	68NV-COB-TLD6403U

### Electrical Characteristics

Wattage                 3W  
Voltage                 85-265VAC  
Power Factor           0.937

Pieces Per Pack                    1  
Packs Per Carton                   50  
Net Weight Per Piece              300 Grams

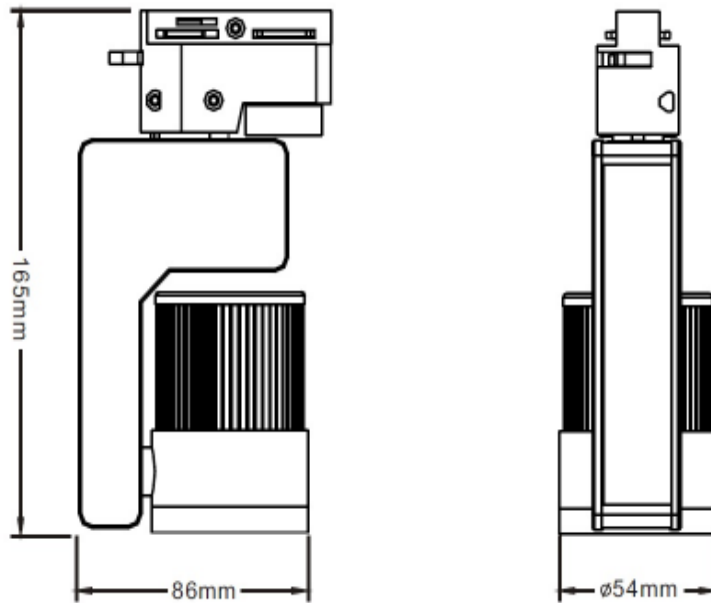
### Temperature

Operating Temp.       -30(min), 65(max)C  
Storage                 -40(min), 65(max)C

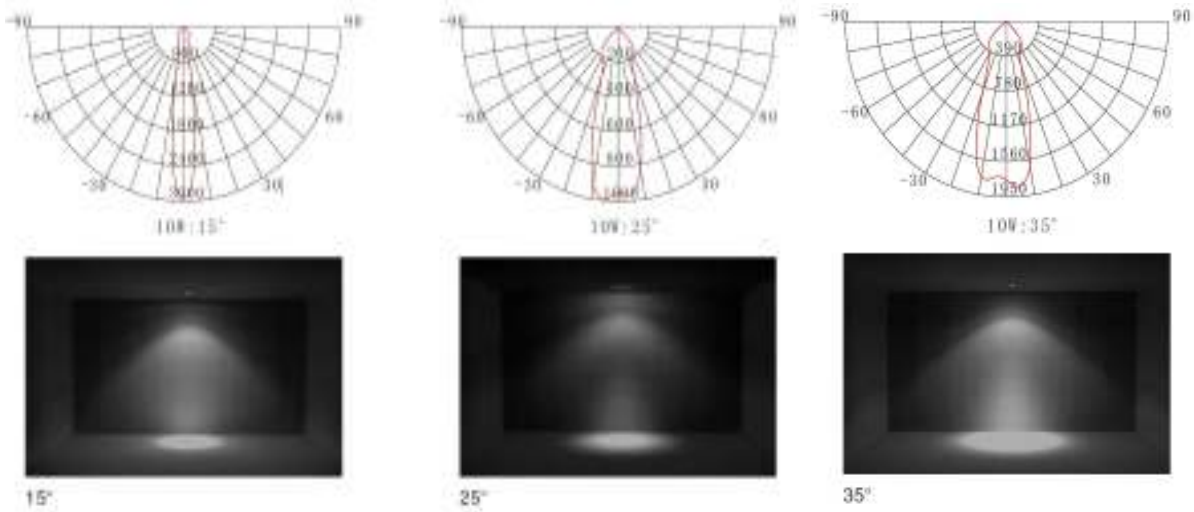
[www.u-tron.com](http://www.u-tron.com)



Technical Drawing



Technical Data



©2012 U-Tron  
All rights reserved  
Specifications are subject to change without notice  
27-Sep-13

